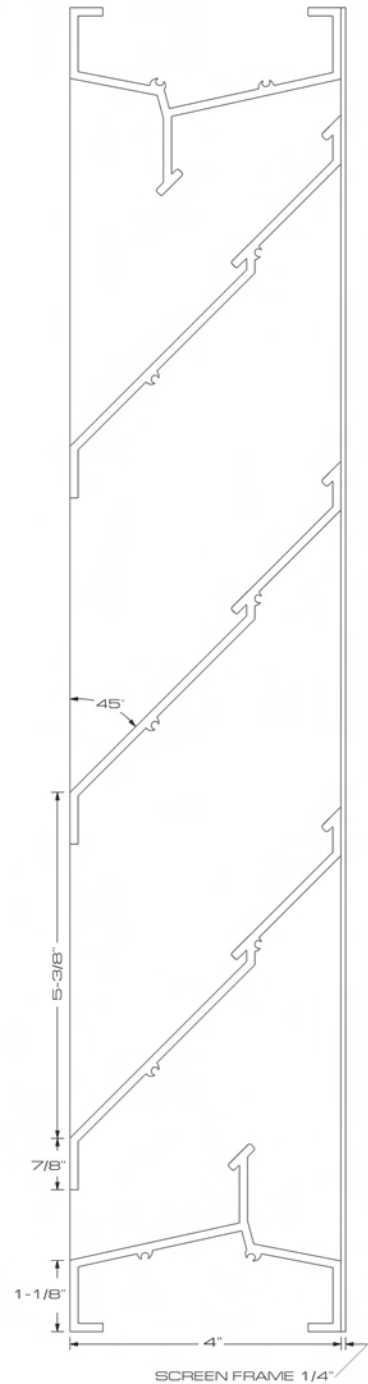
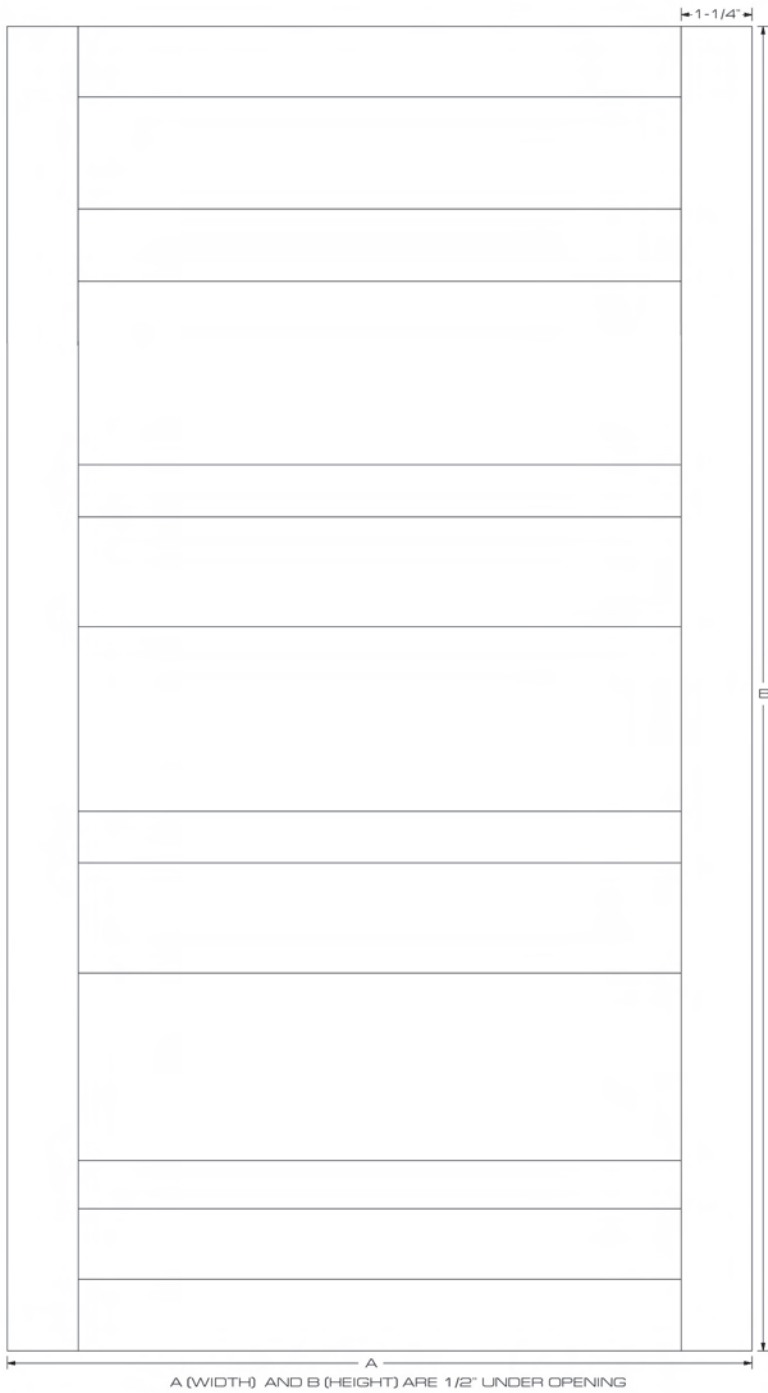


**EXTRUDED ALUMINUM STATIONARY LOUVER  
MODEL L400**



**OPTIONS**

- FLANGED FRAME (L400F)
- VERTICAL MULLION
- EXTENDED SILL
- SCREENS - MANY OPTIONS
- BAKED ENAMAL -
- KYNAR - ANODIZED
- BLANK OFF PANELS

